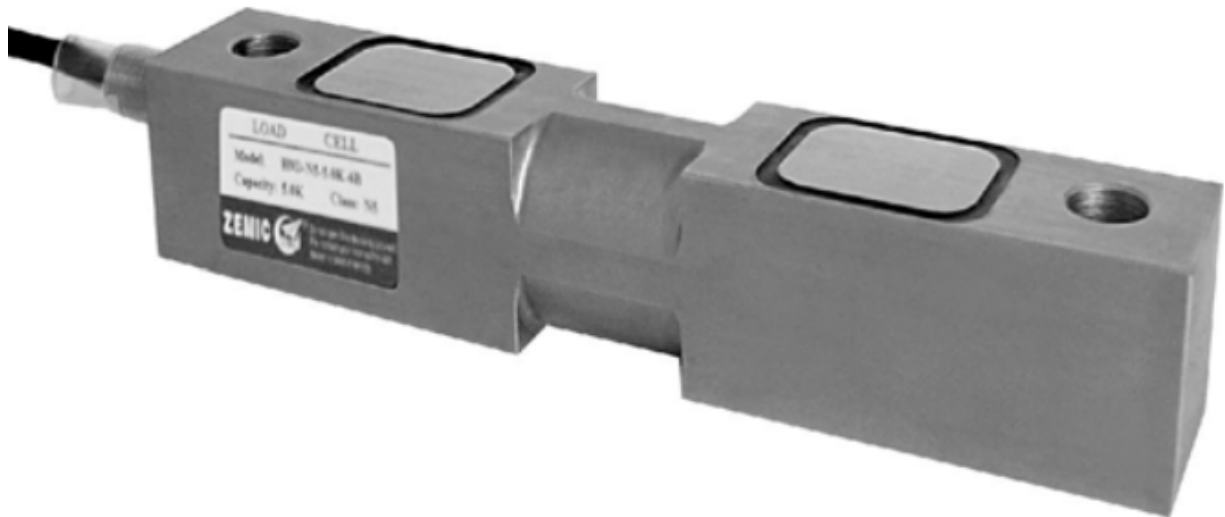


Type H9D Load Cell




Short description



- Nickel plated alloy steel IP67 dual shear beam load cell
- High accuracy
- Suitable for truck and track scales and other heavy weighing devices
- Sealed construction

 test certificate no. TC8013 Revision 0
C of C no R60/2000-NL1-11.31

 Certificate no. 12-015

Available models

Capacity	Accuracy	Full article description
1Klb	N3	H9D-N3-1K-6B
1.5Klb	N3	H9D-N3-1.5K-6B
2Klb	N3	H9D-N3-2K-6B
2.5Klb	N3	H9D-N3-2.5K-6B
4Klb	N3	H9D-N3-4K-6B
5Klb	N3	H9D-N3-5K-6B
10Klb	N3	H9D-N3-10K-6B
15Klb	N3	H9D-N3-15K-6B
20Klb	C3/C4/C5	H9D-C3/C4/C5-20K-6B
25Klb	C3/C4/C5	H9D-C3/C4/C5-25K-6B
35Klb	C3/C4/C5	H9D-C3/C4/C5-35K-6B
50Klb	C3/C4/C5	H9D-C3/C4/C5-50K-6B
75Klb	C3/C4/C5	H9D-C3/C4/C5-75K-6B

Specifications and dimensions are subject to change without notice and do not constitute any liability whatsoever.

Type H9D Load Cell

Detailed specifications H9D

Accuracy class		N3	OIML C3	OIML C4	OIML C5
Output sensitivity (= FS)	mV/V	3.0 ± 0.008			
Maximum capacity (E _{max})	Klb	1, 1.5, 2, 2.5, 4, 5, 10, 15	20, 25, 35, 50, 75		
Max.number of load cell intervals	n _{LC}	3000		4000	5000
Ratio of min. LC verification interval	$Y = E_{max} / v_{min}$	10000		15000	20000
Combined Error	%FS	≤± 0.0230		≤± 0.0175	≤± 0.0140
Minimum dead load	Of E _{max}	0%			
Safe overload	of E _{max}	150 %			
Ultimate overload	of E _{max}	300 %			
Zero balance	of FS	< ± 1.0 %			
Excitation, recommended voltage	V	5 ~ 12			
Excitation maximum	V	18			
Input resistance	Ω	700 ± 7			
Output resistance	Ω	703 ± 4			
Insulation resistance	MΩ	≥5000 (at 50VDC)			
Compensated temperature	°C	-10 ~ +40			
Operating temperature	°C	-35 ~ +65			
Storage temperature	°C	-40 ~ +80			
Element material		Nickel plated alloy steel			
Ingress Protection (acc. to EN 60529)		IP67			
ATEX classification (optional)		II1G Ex ia II1C T4	II1D Ex iaD 20 T73°C	II3G nL IIC T4	

Wiring

Wiring:

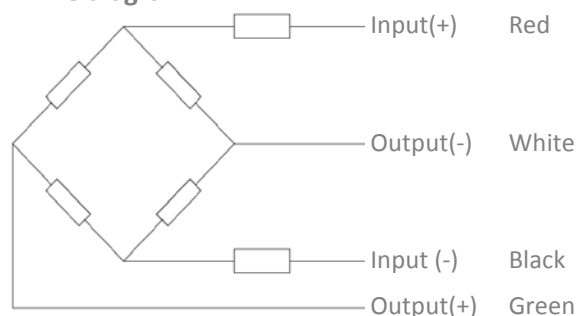
Shielded, 4 conductor cable.

Cable diameter: Ø5mm.

Standard cable length: 6m.

Shield not connected to element.

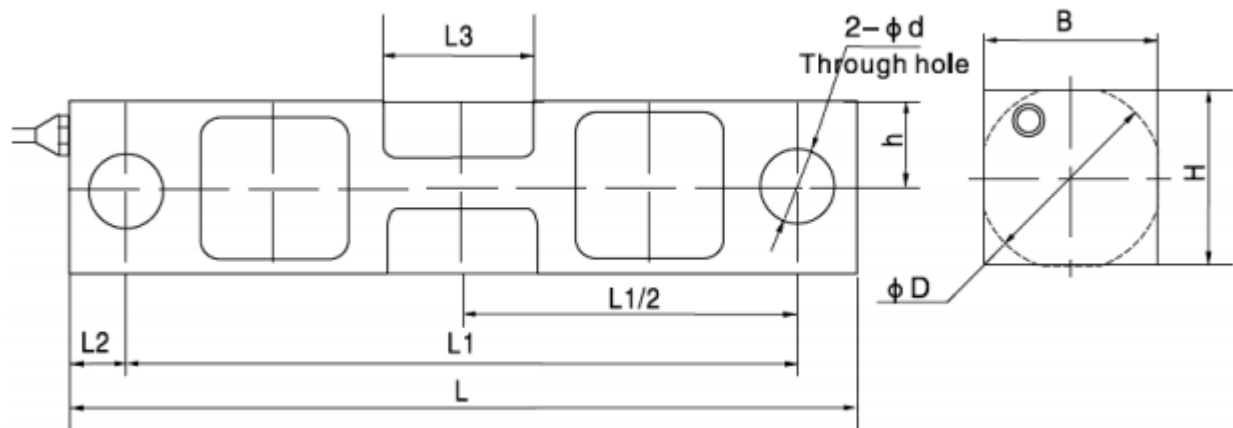
4-wire diagram



Specifications and dimensions are subject to change without notice and do not constitute any liability whatsoever.

Type H9D Load Cell

Dimensions in mm



Dimension Capacity	L	L1	L2	L3	H	h	B	ϕD	ϕd
1Klb-5Klb	190.5	158.75	15.9	30.48	30.99	16.76	30.99	31.5	12.7
10Klb-35Klb	222.25	190.5	15.9	41.15	49.15	24.58	36.45	50.8	20.57
50Klb-75Klb	342.9	292.1	25.4	82.55	74.68	37.34	61.98	75.95	33.32

Specifications and dimensions are subject to change without notice and do not constitute any liability whatsoever.