

# RAVAS-5200-F Li

Pallet truck scale with touch screen indicator

## BENEFITS

- 5 inch touch screen with 25 mm high digits
- Power supply via Li-ion battery pack
- Optimal ease of use, only active keys visible
- Customer specific routines can be programmed
- Integrated data connectivity
- Counting scale functionality
- Level compensation to 3 degrees

Top quality

Customized functions



**RAVAS** PERFORMANCE LINE

**RAVAS**

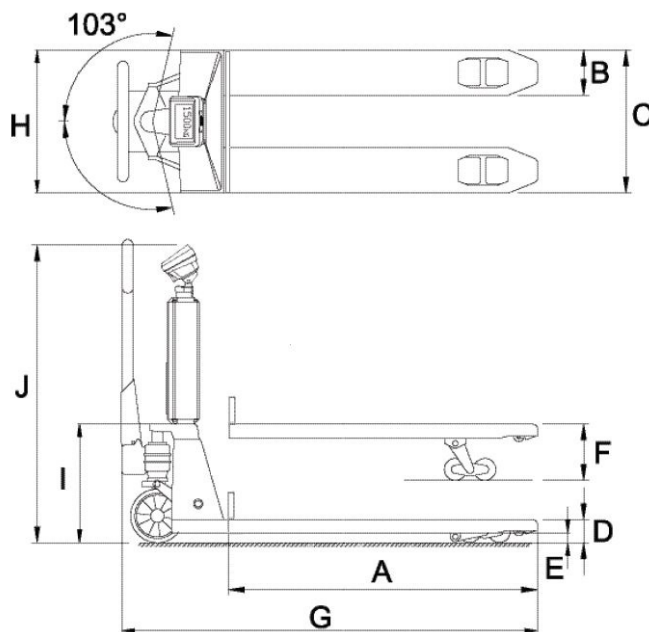
## FUNCTIONS

- Automatic and manual zero correction
- Gross / net weighing
- Tare memory for 10 values
- ID-code entry for 4 ID-codes with 10 preset codes (each max.14 characters alpha-numeric)
- 10 totalizing registers
- Internal clock for date and time
- On board:
  - RS232 port connection for printer
  - USB output for data transfer (with USB Stick)
  - Free COM 1 for Wifi or RS232
  - Free COM2 for Wifi or RS232
- The USB output can also be used to connect a bar-code scanner (end of 2019)
- Bluetooth 4.0 for RAVAS WeightsApp
- Sleep modes for saving power.
- Error message in display incl. logging

## STANDARD SPECIFICATIONS

- Capacity 2,000 kg
- Graduation multi-range 0.2 till 200 kg / 0.5 kg till 500 kg /1 kg 500 till max 2,000 kg
- Max. system tolerance 0.1 % of applied load
- Display full-colour 5" touch display with 25 mm high digits
- Power consumption 12V -160 mA
- Power supply Li-ion battery pack 14.8V / 5Ah incl. charger
- Autonomy 25 hours continuous use (50 hours with sleep modes)
- Keyboard display mode defines the available keys, on/off key
- Protection class Loadcells IP 67, indicator IP65
- Indicator mounting rotating and tiltable
- Steering wheels rubber
- Loading wheels tandem polyurethane
- Colour red (RAL3000) epoxy painted
- Pump quick lift
- Own weight 125 kg

## DIMENSIONS IN MM



Standard

A	Fork length	1150
B	Fork width	180
C	Minimum fork height	90
	Minimum clearance	22
D	Maximum fork height	205
	Lifting height	115
E	Width over forks	550
F	Height to top indicator	950

Tolerance +/- 2 mm



• ISO 9001  
• ISO 14001

## OPTIONS\*

- Legal for trade version OIML III (2nd half of 2019)
- Thermal or matrix printer 12V
- Thermal label printer (2nd half of 2019)
- Bluetooth- or WiFi- data transfer
- Reference scale via RS232 (for more accurate piece counting)
- Parking brake
- 1D USB bar-code scanner, not in combination with legal for trade (end of 2019)
- Additional Li-ion battery pack
- Premium quality steel or stainless steel chassis
- RDC, RAVAS Data Collector Software
- RIS, RAVAS Integration Software

## RAVAS Europe B.V.

P.O. Box 2023, NL-5300 CA Zaltbommel, The Netherlands  
T. +31 (0)418 51 52 20, F. +31 (0)418 51 53 20  
backoffice@ravas.com, www.ravas.com

\* The use of options may change related specifications, changes reserved, rev.20190124

# RAVAS