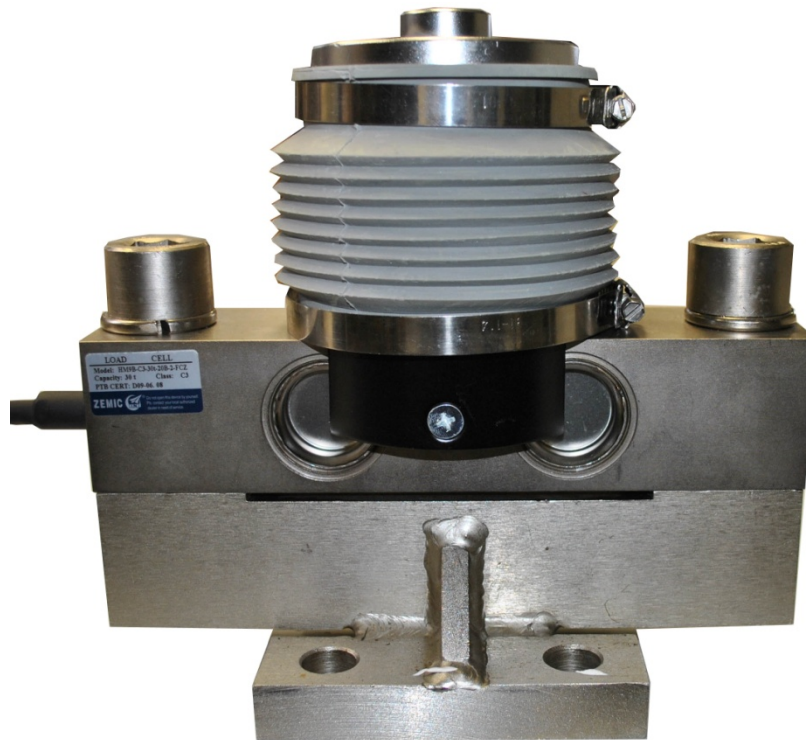


# Type HM9B Load Cell



## Short description



- Nickel plated alloy steel IP68 dual shear beam load cell
- High accuracy
- Suitable for truck, track, hopper and other electronic weighing devices
- Current calibrated (sc-option)



test certificate no. D09-06.08  
C of C no. R60/2000-CN1-06.06

## Available models

Capacity	Accuracy	Full article description
10t	C3	HM9B-C3-10t-20B
20t	C3	HM9B-C3-20t-20B
25t	C3	HM9B-C3-25t-20B(-SC)
30t	C3	HM9B-C3-30t-20B(-SC)
40t SE	C3	HM9B-C3-40tSE-20B
40t	C3	HM9B-C3-40t-20B
50t	C3	HM9B-C3-50t-20B

Specifications and dimensions are subject to change without notice and do not constitute any liability whatsoever.

# Type HM9B Load Cell

## Detailed specifications HM9B

Accuracy class		OIML R60 C3		
Output sensitivity ( = FS )	mV/V	2.0 ± 0.002		
Maximum capacity ( E <sub>max</sub> )	t	10, 20, 25	30, 40SE, 40, 50	
Max.number of load cell intervals	n <sub>LC</sub>	3000		
Ratio of min. LC verification interval	$Y = E_{max} / v_{min}$	15000	7500	
Combined Error	%FS	≤± 0.0230		
Minimum dead load	Of E <sub>max</sub>	0%		
Safe overload	of E <sub>max</sub>	150 %		
Ultimate overload	of E <sub>max</sub>	300 %		
Zero balance	of FS	< ± 1.5 %		
Excitation, recommended voltage	V	5 ~ 12		
Excitation maximum	V	18		
Input resistance	Ω	700 ± 7		
Output resistance	Ω	700 ± 7		
Insulation resistance	MΩ	≥5000 ( at 50VDC )		
Compensated temperature	°C	-10 ~+40		
Operating temperature	°C	-35 ~ +65		
Storage temperature	°C	-40 ~ +90		
Element material		Nickel plated alloy steel		
Ingress Protection (acc. to EN 60529)		IP68		
ATEX classification (optional)		II1G Ex ia II1C T4	II1D Ex iaD 20 T73°C	II3G nL IIC T4

## Wiring

### Wiring:

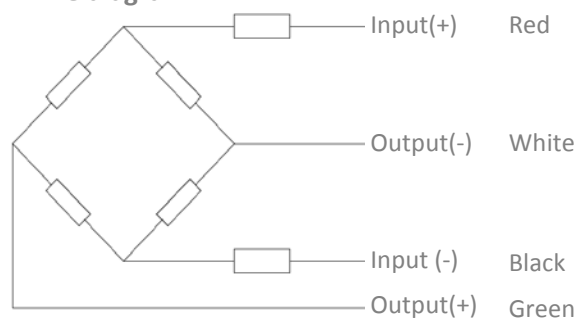
Shielded, 4 conductor cable.

Cable diameter: Ø5.5mm.

Standard cable length: 20m, also available in 12m.

Shield not connected to element.

### 4-wire diagram

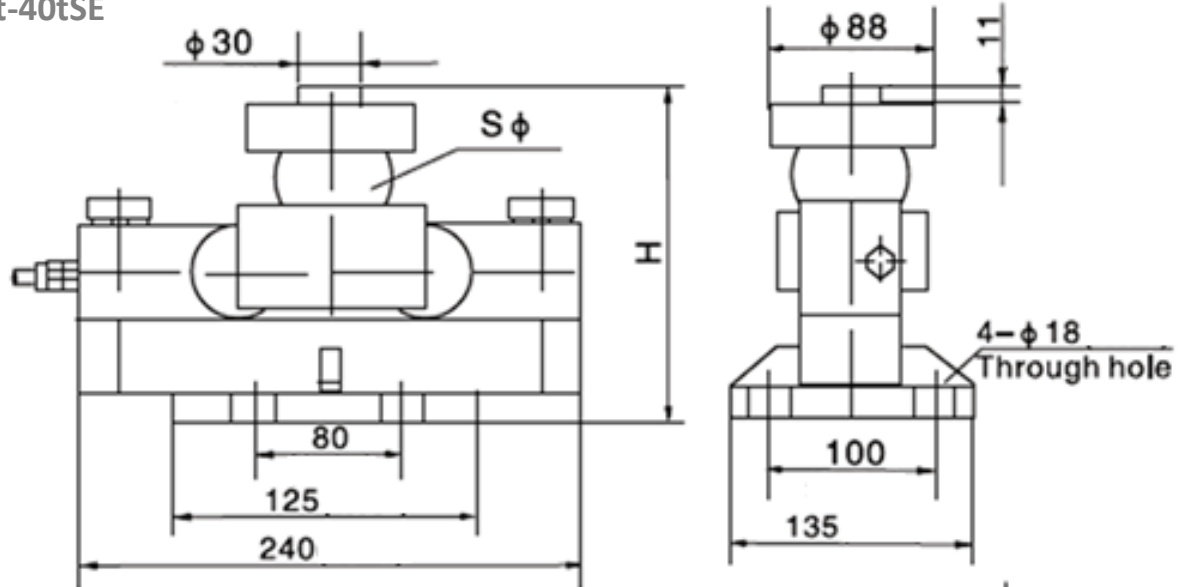


Specifications and dimensions are subject to change without notice and do not constitute any liability whatsoever.

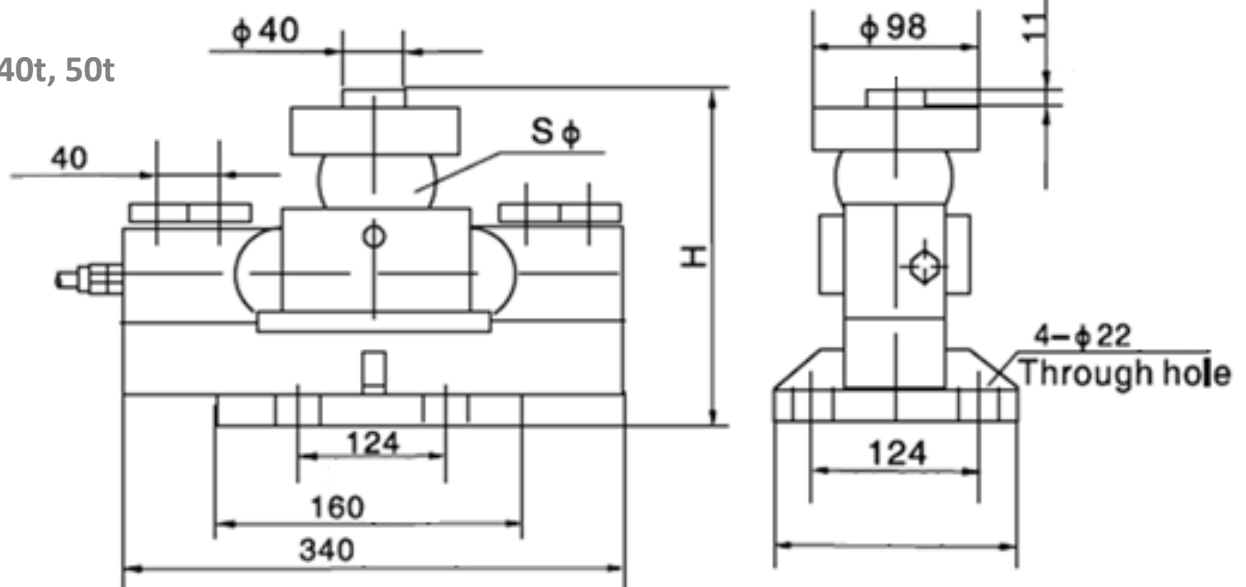
# Type HM9B Load Cell

Dimensions in mm

## 10t-40tSE



## 40t, 50t



Dimension Capacity	H	$\phi S$
10t	195	50
20t-40tSE	225	76
40t, 50t	267	82

Specifications and dimensions are subject to change without notice and do not constitute any liability whatsoever.