



| Capacity | Accuracy | Part-Number |
|----------|----------|-----------------|
| 25 klb | N10 | H9N-N10-25K-9B |
| 40 klb | N10 | H9N-N10-40K-9B |
| 50 klb | N10 | H9N-N10-50K-9B |
| 60 klb | N10 | H9N-N10-60K-9B |
| 75 klb | N10 | H9N-N10-75K-9B |
| 100 klb | N10 | H9N-N10-100K-9B |
| 125 klb | N10 | H9N-N10-125K-9B |
| 150 klb | N10 | H9N-N10-150K-9B |
| 200 klb | N10 | H9N-N10-200K-9B |


RoHS




Ex NEPSA



- Alloy steel IP67 dual shear beam load cell
- High accuracy
- Suitable for track and truck scales and other weighing devices

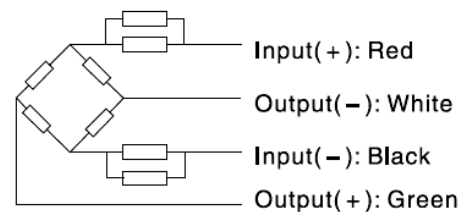
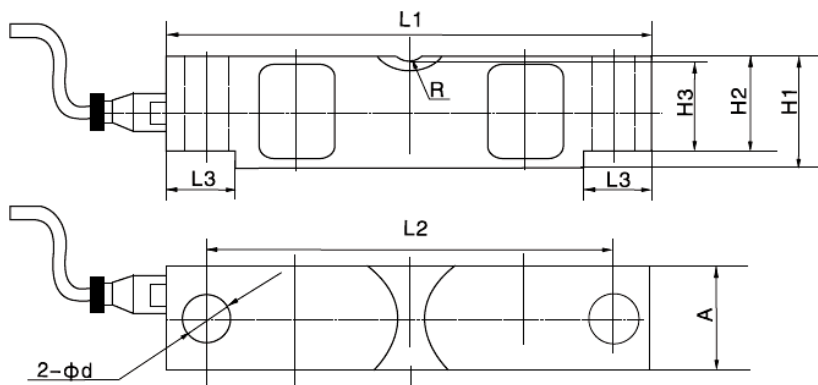




Specification:

| | | | | |
|---|---------------------|--|----------------------|----------------|
| Accuracy class | | N10 | | |
| Output sensitivity (= FS) | mV/V | 3.0 ± 0.003 | | |
| Maximum capacity (E _{max}) | klb | 25, 40, 50, 60, 75, 100, 125, 150, 200 | | |
| Maximum number of load cell intervals (n _{LC}) | | 10000 | | |
| Ratio of minimum LC verification interval Y = E _{max} / V _{min} | | 7500 | | |
| Combined Error | %FS | ± 0.020 | | |
| Safe overload | of E _{max} | 150 % | | |
| Ultimate overload | of E _{max} | 300 % | | |
| Zero balance | of FS | < ± 1.0 % | | |
| Excitation, recommended voltage | V | 5 ~ 12 | | |
| Excitation maximum | V | 18 | | |
| Terminal resistance, input | Ω | 700 ± 7 | | |
| Terminal resistance, output | Ω | 703 ± 4 | | |
| Insulation impedance | MΩ | ≥ 5000 (at 50VDC) | | |
| Temperature range, compensated | °C | -10 ~ +40 | | |
| Temperature range, operating | °C | -35 ~ +65 | | |
| Element material | | Alloy steel | | |
| Ingress Protection (according to EN 60529) | | IP67 | | |
| ATEX classification (optional) | | II1G Ex ia II1C T4 | II1D Ex iaD 20 T73°C | II3G nL IIC T4 |

Outline Dimensions in mm



| Dimension \ Capacity | L1 | L2 | L3 | H1 | H2 | H3 | A | ϕd | R |
|----------------------|------------------|------------------|-----------------|----------------|-----------------|-----------------|----------------|----------------|----------------|
| 25 | 197 (7.75) | 165 (6.5) | 35 (1.38) | 49.3 (1.94) | 43.2 (1.7) | 41.4 (1.63) | 43 (1.7) | 17.3 (0.68) | 19.1 (0.75) |
| 40 | 260.4 (10.25) | 216 (8.5) | 49.3 (1.94) | 62 (2.44) | 53.3 (2.1) | 50.8 (2) | 49.3 (1.94) | 20.6 (0.81) | 25.4 (1) |
| 50 ~ 75 | 260.4 (10.25) | 216 (8.5) | 49 (1.93) | 74.7 (2.94) | 67.3 (2.65) | 64.5 (2.54) | 62 (2.44) | 26.9 (1.06) | 25.4 (1) |
| 100 ~ 125 | 387.4 (15.25) | 324 (12.76) | 79.5 (3.13) | 98 (3.86) | 87.1 (3.43) | 83.8 (3.3) | 73.7 (2.9) | 41.2 (1.62) | 38.1 (1.5) |
| 150~200 | 489 (19.25) | 387.4 (15.25) | 127.8 (5.03) | 147.3 (5.8) | 130.1 (5.12) | 112.8 (4.44) | 96.5 (3.8) | 41.2 (1.62) | 50.8 (2) |

Wiring:

- Shielded, 4 conductor cable.
- Standard cable length: 9m.
- Cable type and cable length for customer's own application are available on request.
- Shield not connected to body.

Please visit our website WWW.ZEMIC.NL for the most actual information.

Nr. 2010.08 H9N Rev2