

Type B9C Load Cell



Short description



- Stainless steel IP67 dual shear beam load cell
- High accuracy
- Suitable for truck scales and other heavy weighing devices
- Sealed construction



Certificate no. 07-018A1

Available models

Capacity	Accuracy	Full article description
5Klb	N3	B9C-N3-5K-9B
10Klb	N10	B9C-N10-10K-9B
15Klb	N10	B9C-N10-15K-9B
20Klb	N10	B9C-N10-20K-9B
30Klb	N10	B9C-N10-30K-9B
40Klb	N10	B9C-N10-40K-9B
50Klb	N10	B9C-N10-50K-9B
60Klb	N10	B9C-N10-60K-9B
75Klb	N10	B9C-N10-75K-9B
90Klb	N10	B9C-N10-90K-9B
100Klb	N10	B9C-N10-100K-9B
150Klb	N3	B9C-N3-150K-9B
200Klb	N3	B9C-N3-200K-9B
250Klb	N3	B9C-N3-250K-9B

Specifications and dimensions are subject to change without notice and do not constitute any liability whatsoever.

Type B9C Load Cell

Detailed specifications B9C

Accuracy class		N3	N10
Output sensitivity (= FS)	mV/V	3.0 ± 0.003	
Maximum capacity (E _{max})	Klb	5, 150, 200, 250	10, 15, 20, 30, 40, 50, 60, 75, 90, 100
Max.number of load cell intervals	n _{LC}	3000	
Ratio of min. LC verification interval	Y = E _{max} / v _{min}	7500	
Combined Error	%FS	≤± 0.0350	≤± 0.0230
Minimum dead load	Of E _{max}	0%	
Safe overload	of E _{max}	150 %	
Ultimate overload	of E _{max}	300 %	
Zero balance	of FS	< ± 1.0 %	
Excitation, recommended voltage	V	5 ~ 12	
Excitation maximum	V	18	
Input resistance	Ω	700 ± 7	
Output resistance	Ω	703 ± 4	
Insulation resistance	MΩ	≥5000 (at 50VDC)	
Compensated temperature	°C	-10 ~ +40	
Operating temperature	°C	-35 ~ +65	
Storage temperature	°C	-40 ~ +80	
Element material		Stainless steel	
Ingress Protection (acc. to EN 60529)		IP67	
ATEX classification (optional)		II1G Ex ia II1C T4	II1D Ex iaD 20 T73°C II3G nL IIC T4

Wiring

Wiring:

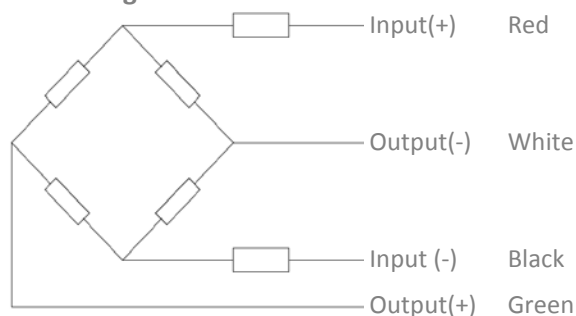
Shielded, 4 conductor cable.

Cable diameter for 5k – 20k: Ø5mm and for 30k – 250k: Ø8mm.

Standard cable length: 9m.

Shield not connected to element.

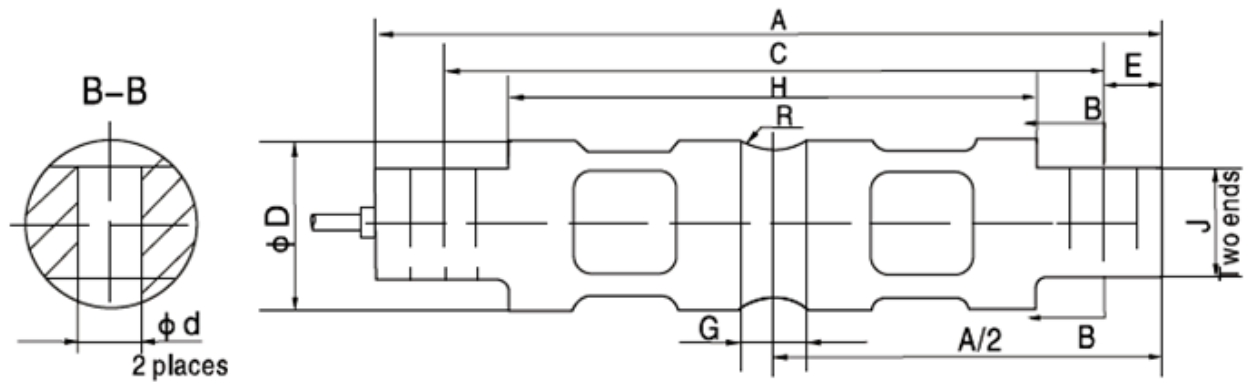
4-wire diagram



Specifications and dimensions are subject to change without notice and do not constitute any liability whatsoever.

Type B9C Load Cell

Dimensions in mm

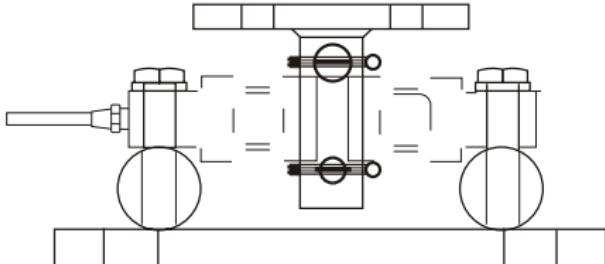
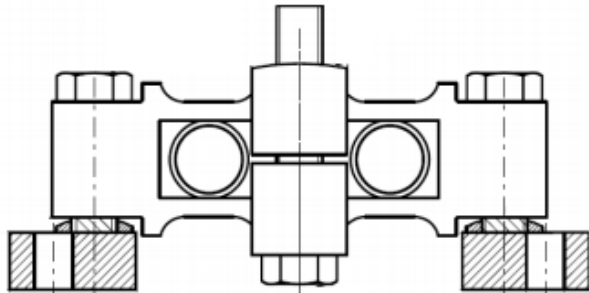
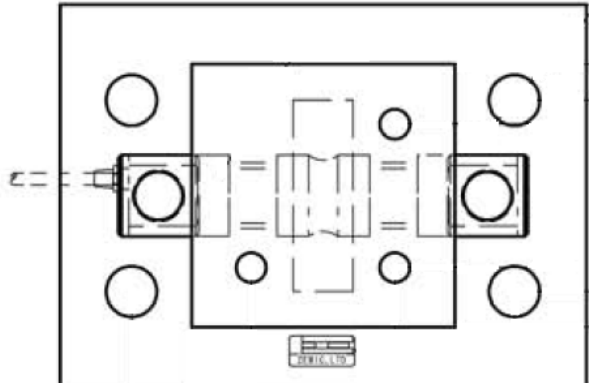


Dimension Capacity	A	C	H	G	ØD	J	Ød	R	E
5Klb, 10Klb	206.2	174.6	133.1	15.7	43.2	28.4	16.7	12.7	15.7
15Klb, 20Klb	206.2	174.6	133.1	21.3	49.5	28.4	16.7	12.7	15.7
30Klb-75Klb	260.4	215.9	165.1	25.4	76.2	60.2	26.9	25.4	22.4
90Klb, 100Klb	285.8	241.3	190.2	31.0	88.9	63.5	26.9	38.1	22.4
150Klb	285.8	241.3	190.2	31.0	99.1	71.1	26.9	38.1	22.4
200Klb, 250Klb	408.9	330.3	254	31.7	136.6	116.8	39.6	50.8	39.4

Specifications and dimensions are subject to change without notice and do not constitute any liability whatsoever.

Type B9C Load Cell

Available accessories

<p>HM-9-401-5-250Klb Mount</p> <ul style="list-style-type: none">• Easy installation• Compact construction• Anti-reversal ability• Alloy steel• Using under heavy static or slight dynamic load	
<p>HM-9-405-30-75Klb Mount</p> <ul style="list-style-type: none">• Alloy steel• No horizontal movement	
<p>HM-9-409-5-20Klb</p> <ul style="list-style-type: none">• Easy installation• Compact construction• Anti-reversal ability• Alloy steel• Using under heavy static or slight dynamic load	

Specifications and dimensions are subject to change without notice and do not constitute any liability whatsoever.