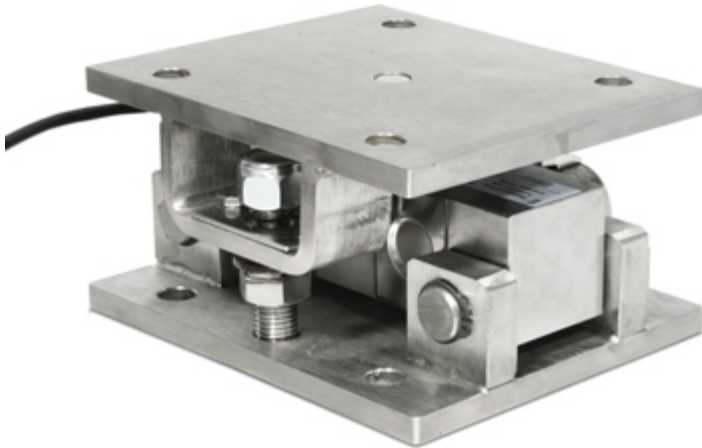


KDSBN

ASSEMBLY KITS FOR DOUBLE SHEAR BEAM LOAD CELLS



Mounting kits for DSBi double shear beam load cells: Accessories suitable for weighing hoppers, tanks, platforms, etc. etc. The special articulation guarantees an excellent measuring accuracy also in the presence of dilatations and/or bending of the weighing structure.

Working in cooperation with:

SC DATA SPEED SRL

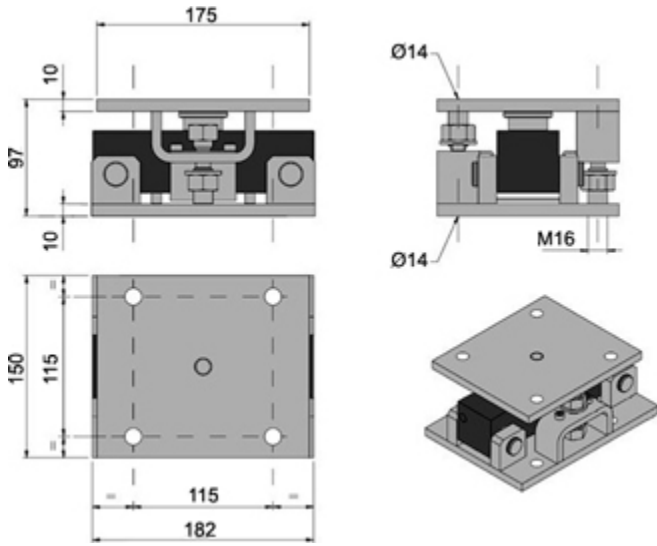
STR DONATH N. 115/33 - 400331 - JUD. CLUJ
Tel. 0040-264566473 Fax. 0040-364-815440
office@cantare.com.ro

The best solution
for advanced industrial
applications

MAIN FEATURES

- EXECUTION IN AISI304 STAINLESS STEEL
- GREAT RESISTANCE TO LATERAL FORCES
- BOLTS FOR MAINTAINING THE RAISED POSITION, FOR EASY INSTALLMENT AND/OR SUBSTITUTION OF THE LOAD CELL
- SELF-CENTERING CONNECTION SEGMENT BETWEEN LOWER AND UPPER PLATES.

DETAIL 1



KDSBN: dimensions in mm



www.diniargeo.com



“YOUR WORLDWIDE PARTNER FOR WEIGHING,”

DINI ARGEO
FRANCE sarl
Nogent-sur-Marne

DINI ARGEO
GMBH
Sinsheim - Germany

DINI ARGEO
UK Ltd
Taunton - United Kingdom

DINI ARGEO WEIGHING
INSTRUMENTS Ltd
Shanghai - China

DINI ARGEO
WEIGHBRIDGES
Calto (RO) – Italy



HEAD OFFICE
Via Della Fisica, 20
41042 Spezzano di Fiorano Modena - Italy



SC DATA SPEED SRL

STR DONATH N. 115/33 - 400331 - JUD. CLUJ

Tel. 0040-264566473 Fax. 0040-364-815440

office@cantare.com.ro

SALES AND TECHNICAL ASSISTANCE SERVICE