



## Short description



- Fit for 4-wire and 6-wire load cells
- Easy installation
- Cast aluminium housing
- Protective coating

## Available models

| Model | Amount of connections | Full article description | Part number |
|-------|-----------------------|--------------------------|-------------|
| JB06  | 2                     | JB06C-2                  | 3006010     |
|       | 3                     | JB06C-3                  | 3006020     |
|       | 4                     | JB06C-4                  | 3006030     |
|       | 6                     | JB06C-6                  | 3006040     |
|       | 8                     | JB06C-8                  | 3006050     |

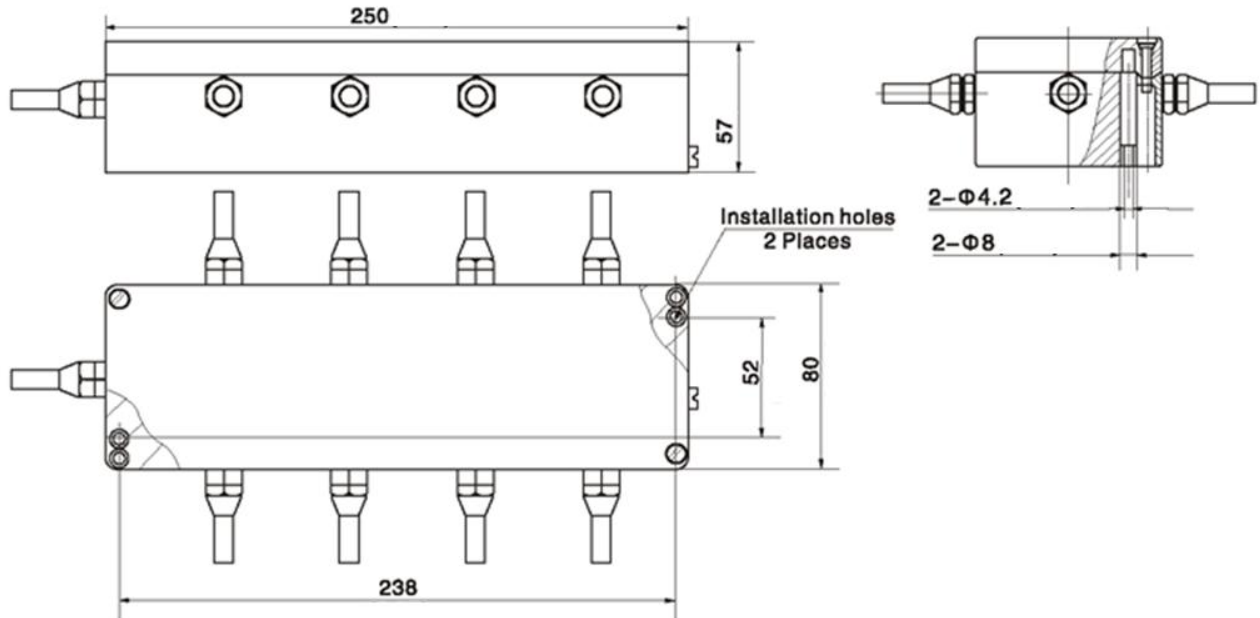
## Detailed specifications JB06

|                                   |                    |             |
|-----------------------------------|--------------------|-------------|
| Load cell output resistance range | $\Omega$           | 340 to 1100 |
| Load cell input resistance range  | $\Omega$           | 340 to 1100 |
| Excitation, recommended voltage   | V(AC&DC)           | 5 to 17     |
| Excitation, maximum               | V(AC&DC)           | 18          |
| Load cell sensitivity range       | mV/V               | 0.6 – 3     |
| Cable $\varnothing$               | mm                 | 5 to 6.2    |
| Correction method                 |                    | Signal trim |
| Trimming range                    | $\Omega$           | 14          |
| Temperature range, operating      | $^{\circ}\text{C}$ | -40...+85   |
| Ingress protection                |                    | IP65        |
| Housing connected to shield       |                    | Yes         |
| External grounding                |                    | Yes         |

Specifications and dimensions are subject to change without notice and do not constitute any liability whatsoever.

# Type JB06

Dimensions in mm



Specifications and dimensions are subject to change without notice and do not constitute any liability whatsoever.