


Type BM14G4 Load Cell



Short description



- Stainless steel IP68 compression load cell
- Hermetically sealed
- Suitable for hopper scales and vehicle testing facilities
- Built in surge arrestors
- Current calibrated (sc-option)

 test certificate no. TC7815 Revision 0
C of C no R60/2000-NL1-10.10

 Certificate no. 10-087

Available models

Capacity	Accuracy	Full article description
10t	C3/C4	BM14G4-C3/C4-10t-18B-SC-W1
20t	C3/C4	BM14G4-C3/C4-20t-18B-SC-W1
30t	C3/C4	BM14G4-C3/C4-30t-18B-SC-W1
40t	C3/C4	BM14G4-C3/C4-40t-18B-SC-W1
50t	C3/C4	BM14G4-C3/C4-50t-18B-SC-W1

Specifications and dimensions are subject to change without notice and do not constitute any liability whatsoever.

Type BM14G4 Load Cell

Detailed specifications BM14G4

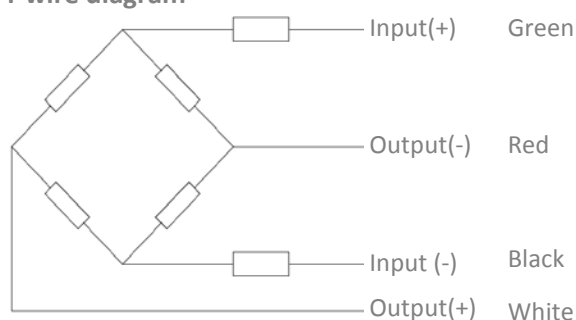
Accuracy class		OIML R60 C3	OIML R60 C4
Output sensitivity (= FS)	mV/V	2.0 ± 0.02	
Maximum capacity (E _{max})	t	10, 20, 30, 40, 50	
Max.number of load cell intervals	n _{LC}	3000	4000
Ratio of min. LC verification interval	$Y = E_{max} / v_{min}$	8800	
Combined Error	%FS	≤± 0.0230	≤± 0.0175
Minimum dead load	Of E _{max}	0%	
Safe overload	of E _{max}	150 %	
Ultimate overload	of E _{max}	300 %	
Zero balance	of FS	< ± 1.0 %	
Excitation, recommended voltage	V	5 ~ 12	
Excitation maximum	V	18	
Input resistance	Ω	700 ± 7	
Output resistance	Ω	700 ± 7	
Insulation resistance	MΩ	≥5000 (at 50VDC)	
Compensated temperature	°C	-10 ~ +40	
Operating temperature	°C	-35 ~ +65	
Storage temperature	°C	-40 ~ +70	
Element material		Stainless steel	
Ingress Protection (acc. to EN 60529)		IP68	
Recommended torque on fixation	Nm	-	
ATEX classification (optional)		II1G Ex ia II1C T4	II1D Ex iaD 20 T73°C II3G nL IIC T4

Wiring

Wiring:

Shielded, 4 conductor cable
 Cable Diameter: Ø5mm
 Standard cable length: 15m
 Shield not connected to element

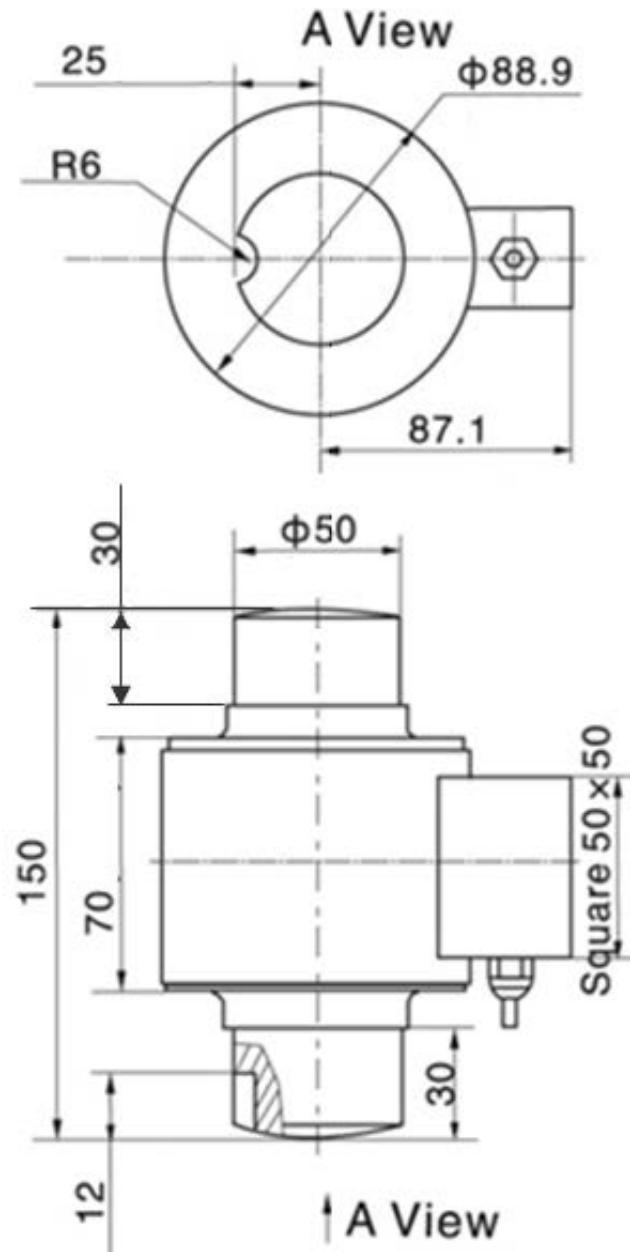
4-wire diagram



Specifications and dimensions are subject to change without notice and do not constitute any liability whatsoever.

Type BM14G4 Load Cell

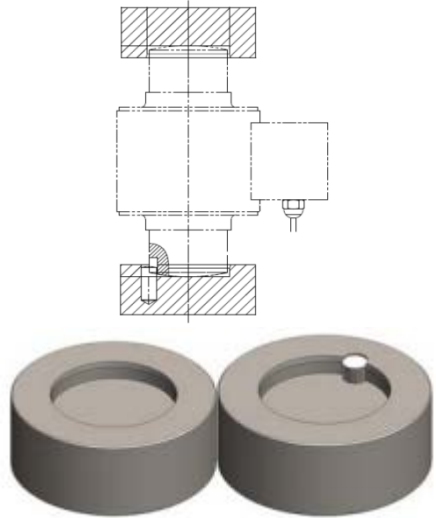


Dimensions in mm



Specifications and dimensions are subject to change without notice and do not constitute any liability whatsoever.

Type BM14G4 Load Cell

Available accessories

<p>BY-14-108-10-50t rocker support</p> <ul style="list-style-type: none">• 1 piece, top, without mounting holes• 1 piece, bottom, without mounting holes• Stainless steel• Anti-rotation pin in the bottom base	
<p>BY-14-125-10-50t rocker support</p> <ul style="list-style-type: none">• The same as the BY-14-108 but with mounting holes in the top base• Stainless steel• Anti-rotation pin in the bottom base	
<p>BY-14-126-10-50t rocker support</p> <ul style="list-style-type: none">• The same as the BY-14-108 but with mounting holes in both top and bottom base• Stainless steel• Anti-rotation pin in the bottom base	

Specifications and dimensions are subject to change without notice and do not constitute any liability whatsoever.