

Type BM14A Load Cell



Short description



- Stainless steel IP68 compression load cell
- Hermetically sealed
- Suitable for vehicle and hopper scales and vehicle testing facilities
- Built in surge arrestors
- Current calibrated (sc-option)

 test certificate no. D09-07.01

Available models

Capacity	Accuracy	Full article description
10t	C3	BM14A-C3-10t-10B-SC
25t	C3	BM14A-C3-25t-20B-SC
40t	C3	BM14A-C3-40t-20B-SC
60t	C3	BM14A-C3-60t-20B-SC
100t	C3	BM14A-C3-100t-20B-SC
200t	C1 Excluded from OIML	BM14A-C1-200t-20B-SC

Specifications and dimensions are subject to change without notice and do not constitute any liability whatsoever.

Type BM14A Load Cell

Detailed specifications BM14A

Accuracy class		OIML R60 C3		C1
Output sensitivity (= FS)	mV/V	2.0 ± 0.002		
Maximum capacity (E _{max})	t	10, 25, 40	60, 100	200
Max.number of load cell intervals	n _{LC}	3000		1000
Ratio of min. LC verification interval	$Y = E_{max} / v_{min}$	9000	15000	10000
Combined Error	%FS	≤± 0.023		≤± 0.050
Minimum dead load	Of E _{max}	0%		
Safe overload	of E _{max}	150 %		
Ultimate overload	of E _{max}	300 %		
Zero balance	of FS	< ± 1.0 %		
Excitation, recommended voltage	V	5 ~ 12		
Excitation maximum	V	18		
Input resistance	Ω	450 ± 5		
Output resistance	Ω	480 ± 5		
Insulation resistance	MΩ	≥5000 (at 50VDC)		
Compensated temperature	°C	-10 ~ +40		
Operating temperature	°C	-35 ~ +65		
Storage temperature	°C	-40 ~ +70		
Element material		Stainless steel		
Ingress Protection (acc. to EN 60529)		IP68		
Recommended torque on fixation	Nm	-		
ATEX classification (optional)		II1G Ex ia II1C T4	II1D Ex iaD 20 T73°C	II3G nL IIC T4

Wiring

Wiring:

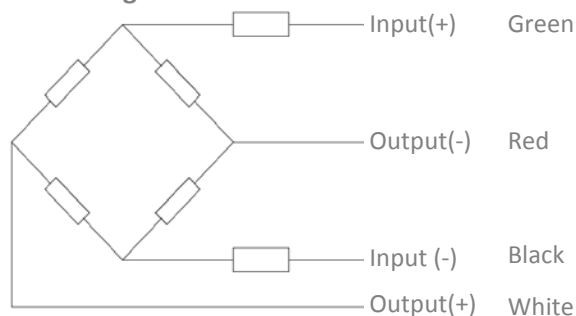
Shielded, 4 conductor cable.

Cable diameter: Ø 7.5mm.

Standard cable length for 10t: 10m and for all other capacities: 20m.

Shield not connected to element.

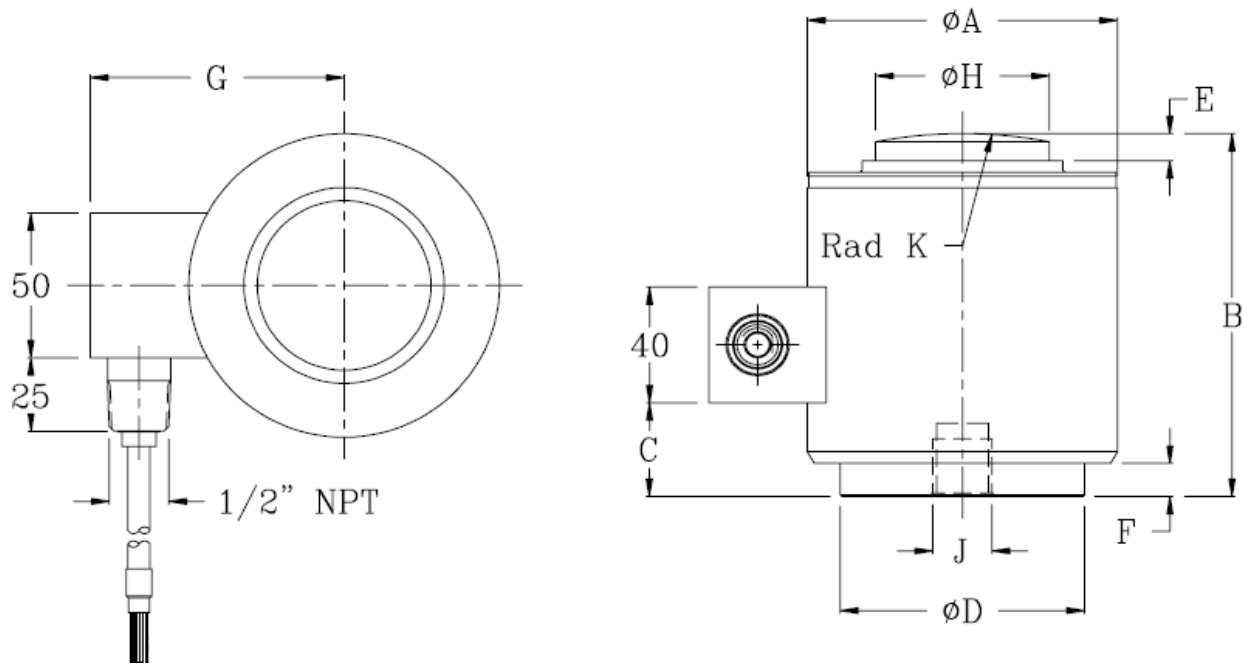
4-wire diagram



Specifications and dimensions are subject to change without notice and do not constitute any liability whatsoever.

Type BM14A Load Cell

Dimensions in mm

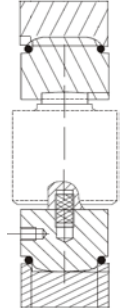
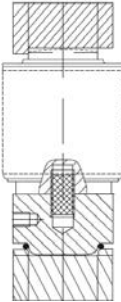


Dimension Capacity	ϕA	B	C	ϕD	E	F	G	ϕH	K_{rad}	J
10t, 25t	73	82.5	12	58	6.5	1.8	64	31.8	152	M12
40t, 60t	105	127	34	82.5	8	11	87	58.7	152	M20
100t	152.4	184	72	123.8	23.6	21.8	108	79.2	432	M20
200t	167.6	228.6	92	136.3	10.9	25.4	123	93.7	432	M20

Specifications and dimensions are subject to change without notice and do not constitute any liability whatsoever.

Type BM14A Load Cell

Available accessories

<p>BY-14-101-10-25t rocker support</p> <ul style="list-style-type: none">• Easy installation• Good self-aligning ability• Stainless steel• Anti-reversal ability• Can be used under hazardous environments	
<p>BY-14-101-40-60t rocker support</p> <ul style="list-style-type: none">• Easy installation• Good self-aligning ability• Stainless steel• Anti-reversal ability• Can be used under hazardous environments	

Specifications and dimensions are subject to change without notice and do not constitute any liability whatsoever.